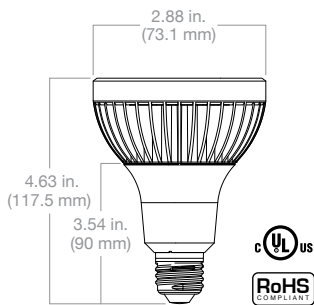


TOSHIBA E-CORE LED PAR30 LONG NECK

DESIGN



DIMENSIONS



© 2010 Toshiba International Corporation
LED Lighting Department
13131 West Little York Road, Houston, Texas 77041
US 800-231-1412
Rev. 100510

Project: _____ Date: _____
Type: _____ Voltage: _____
Comments: _____

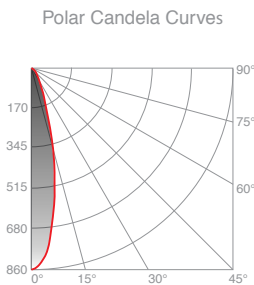
> The **Toshiba E-Core PAR30** long neck is a high quality 120 VAC LED replacement lamp. The PAR30 is a highly efficient LED lamp which uses only 10.5 watts of energy, significantly reducing your carbon footprint while maintaining a very high quality of light. The PAR30 has an Edison medium E26 base, which makes it ideal for retail lighting, museum lighting, hospitality lighting, accent lighting, recessed lighting, and architectural lighting. All Toshiba E-Core LED products have been manufactured in accordance with RoHS standards, and unlike compact fluorescent products, E-Core lamps contain no mercury.

Lamp Type	PAR30 Long Neck 10.5 W 2700 K	PAR30 Long Neck 10.5 W 3500 K	PAR30 Long Neck 10.5 W 4000 K
Ordering Code	11P30L/827/FL25	11P30L/835/FL25	11P30L/840/FL25
Model	LDRB0927ME6USDL	LDRB0935ME6USDL	LDRB0940ME6USDL
Wattage	10.5 W	10.5 W	10.5 W
Voltage	120 V	120 V	120 V
Color Temperature	2700 K	3500 K	4000 K
Initial Lumen	310 lm	360 lm	360 lm
Efficacy	29.5 lm/W	34.3 lm/W	34.3 lm/W
CRI	Ra 80	Ra 80	Ra 80
Beam Angle	25°	25°	25°
CBCP	850 cd	900 cd	900 cd
Base	E26	E26	E26
Rated Life	40,000 Hrs.	40,000 Hrs.	40,000 Hrs.
Weight	12.3 oz. (345 g)	12.3 oz. (345 g)	12.3 oz. (345 g)

UL Listed, FCC and RoHS Compliant
Dimmable only with specified dimmers (For dimming compatibility information refer to www.Toshiba.com/lighting)
Three-Year Limited Warranty
Photometric Testing Consistent with IES LM-79

PHOTOMETRICS

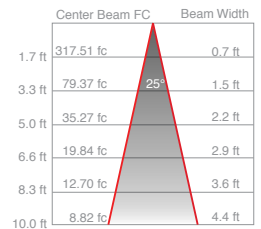
PAR30 10.5 W 3500 K



Zonal Lumen Summary

Zone	Lumens(lm)	%Luminaire(%)
0-30	257	71.5
0-40	302	83.8
0-60	342	95.1
0-90	360	100.0
60-90	18	4.9
0-180	360	100.0

Illuminance-Cone of Light



ORDERING INFORMATION

Type	Color Information	Beam Angle
11P30L - PAR30 Long Neck	827 - Ra 80, 2700 K	FL25 - 25°
	835 - Ra 80, 3500 K	
	840 - Ra 80, 4000 K	

Example: 11P30L/835/FL25