

HALO LED ICAT REMODEL HOUSING

DESCRIPTION: H750RICAT Housing

The H750RICAT is a dedicated LED Remodel housing to be used with Halo H7 Collection LED modules. The H750RICAT is designed for remodel applications in insulated ceilings and can be in direct contact with ceiling insulation. This AIR-TITE™ housing design prevents airflow between attic and living areas and saves on both heating and air conditioning costs. The H750RICAT LED connector system provides High Efficacy code compliance when used with HALO H7 Collection LED modules. Halo LED luminaire systems (Housings, LED Modules and Trims) carry a three year limited warranty.

Catalog #		Type
Project		
Comments		Date
Prepared by		

DESIGN FEATURES

Housing

Single wall aluminum housing. Openings are gasketed for AIR-TITE™ installation. Can be used in 2" x 8" joist construction (with 1/2" or 5/8" ceiling material).

Junction Box

- Seven 1/2" trade size conduit knockouts with true pry-out slots.
- Slide-N-Side™ wire traps allow non-metallic sheathed cable to be installed without tools and without removing knockouts.
- Accepts a wider range of non-metallic sheathed cable - the standard cable types used in lighting for both US and Canada.
 - Allows wiring connections to be made outside the box.
 - Simply insert the cable directly into the trap after connections are made.
 - Accommodates the following standard non-metallic sheathed cable types.
 - (US) #14/2, #14/3, #12/2, #12/3
 - (Canada) #14/2, #14/3, #12/2

Remodel Springs

Four remodel clips secure housing and accommodate 1/2" and 5/8" ceiling material.

LED Module Connection

Halo LED ML706 and ML709 Series modules simply install with a plug-in 120V line voltage wiring connector (UL and CSA Listed Luminaire Disconnect). This non-screw-base connection preserves the high efficacy rating and prevents use of low efficacy incandescent sources.

Labels

- UL/cUL Listed
- Listed for Feed Through
- Listed for direct contact with insulation and combustible material
- Listed for Damp Location
- Listed for Wet Location with select trims
- Rated for 15W maximum

Qualification

- May be used for State of California Title 24-2008 High Efficacy Compliance
- May be used for International Energy Conservation Code (IECC) - 2009 High Efficacy Compliance
- Washington State Energy Code - AIR-TITE™ Compliant
- New York State Energy Conservation Code - AIR-TITE™ Compliant
- Certified under ASTM-E283 standard for air-tight construction



H750RICAT

**6" Insulated Ceiling
AIRTITE Remodel
Recessed Housing
For HALO LED Module
ML7x Series and 49x
Halo LED Series Trims**

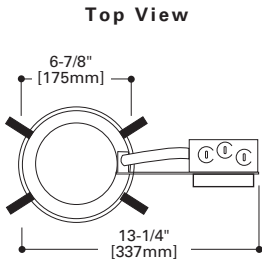
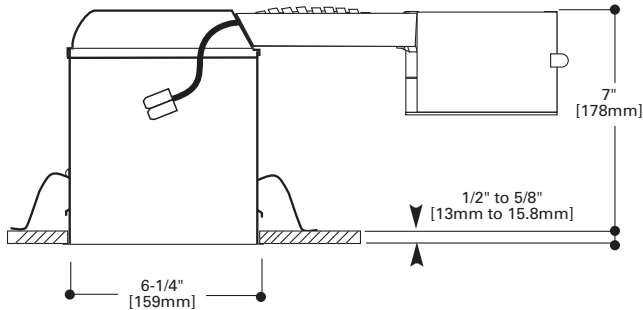
**6" Remodel
IC AIR-TITE Housing**

High Efficacy LED Housing

**FOR USE IN
INSULATED CEILINGS**

**FOR DIRECT CONTACT
WITH INSULATION**

**TO BE INSTALLED
FROM BELOW THE
CEILING**



ORDERING INFORMATION

SAMPLE NUMBER: H750RICAT ML706830 494P06

Order housing, module, trim and accessories separately.

Housing	LED Module*			900 Series	Trim Options*	Accessories*
H750RICAT	ML706	8	30	ICAT120D		
H750RICAT = 6" Dedicated LED Insulated Ceiling, AIR-TITE Remodel Housing	ML706 = 6" H7 Collection 600 Series LED module, 120V ML709 = 6" H7 Collection 900 Series LED module, 120V	8 = 80 CRI	27 =2725°K 30 =3045°K 35 =3465°K 40 =3985°K	ICAT120D = ICAT rated, 120V LED module with standard 120V dimming capability	494P06 =Matte White Reflector/ white die cast trim ring. 494WB06 =White Baffle/ white die cast trim ring. 494H06 =Haze Reflector/ white die cast trim ring. 494SC06 =Specular Reflector/ white die cast trim ring. 492PS06 =Regressed Lens, white baffle and die-cast trim ring. Shower rated. 493WBS06 =Solite® Regressed Lens, upper reflector, and white baffle and die-cast trim ring with anti-microbial paint (standard). Shower Rated. 493SCS06 =Solite® Regressed Lens, upper reflector, Specular Clear reflector and die-cast white trim ring. Shower Rated. 493HS06 =Solite® Regressed Lens, upper reflector, Haze reflector, and white die-cast trim ring. Shower Rated. 493SNS06 =Solite® regressed Lens, upper reflector, Satin Nickel reflector and Satin Nickel die-cast trim ring. Shower Rated. 493TBZS06 =Solite® Regressed Lens, upper reflector, Tuscan Bronze reflector and Tuscan Bronze die-cast trim ring. Shower Rated. 493BBS06 =Solite® Regressed Lens, Black baffle with die-cast white trim ring. Shower Rated.	OT400P =Oversize White Metal Trim Ring 6" ID x 9-1/4" OD OT403P =Oversize White Plastic Trim Ring 6" ID x 8" OD Thin Profile Trim Rings: TRM490WH =Thin Profile matte white die-cast trim ring TRM490SN =Thin Profile Satin Nickel die-cast trim ring TRM490TBZ =Thin Profile Tuscan Bronze die-cast trim ring TRM490BK =Thin Profile Black die-cast trim ring TRM490PC =Thin Profile Polished Chrome die-cast trim ring

* Refer to Halo LED Module Specification Sheets for additional information.
Solite is a registered trademark of AGC Flat Glass North America

Note: Specifications and Dimensions subject to change without notice.
Visit our web site at www.cooperlighting.com

Customer First Center 1121 Highway 74 South Peachtree City, GA 30269 770.486.4800 FAX 770.486.4801
Cooper Lighting 5925 McLaughlin Rd. Mississauga, Ontario, Canada L5R 1B8 905.507.4000 FAX 905.568.7049