

HALO LED ICAT HOUSING for NEW CONSTRUCTION

DESCRIPTION: H750ICAT Housing

The H750ICAT is a dedicated LED new construction housing to be used in conjunction with Cooper Lighting's HALO LED modules. The H750ICAT is designed for insulated ceilings and can be in direct contact with ceiling insulation. This AIR-TITE housing design prevents airflow between attic and living areas and saves on both heating and air conditioning costs. HALO LED luminaires are designed for longevity and energy efficiency. The connector system allows for Tile 24 compliance when used with Cooper Lighting's HALO LED module. The H750ICAT housing meets ENERGY STAR® SSL standards when used with ENERGY STAR® qualified Halo LED modules. Halo LED luminaire systems (Housing, LED, and trim) carry a three year limited warranty.

Catalog #		Type
Project		
Comments		Date
Prepared by		

DESIGN FEATURES

Housing

Aluminum construction for greater heat dissipation. H750 ICAT housing is gasketed to prevent airflow from heated or air conditioned spaces.

Plaster Frame

Galvanized steel frame. Housing adjusts in plaster frame to accommodate up to 1" ceiling thickness. Regressed locking screw for securing hanger bars. Cutouts included for easily crimping hanger bars in position.

Junction Box

- Positioned to accommodate straight conduit runs.
- Seven 1/2" trade size conduit knockouts with true pry-out slots.
- Slide-N-Side wire traps allow non metallic sheathed cable to be installed without tools and without removing knockouts.
- Allows wiring connections to be made outside the box.
- Simply insert the cable directly into the trap after connections are made.
- Accommodates the following

standard non-metallic sheathed cable type:

- U.S. #14/2, #14/3, #12/2, #12/3
- Canada: #14/2, #14/3, #12/2

GOT-NAIL!™ Pass-N-Thru™ Bar Hangers

Bar Hanger features include

- Pre-installed nail easily installs in regular lumber, engineered lumber and laminated beams.
- Safety and Guidance system prevents snagging, ensures smooth, straight nail penetration and allows bar hangers to be easily removed if necessary
- Automatic leveling flange aligns the housing and allows holding the housing in place with one hand while driving nails.
- Housing can be positioned at any point within 24" joist spans
- Score lines allow tool-free shortening for 12" joists and bar hangers do not need to be removed for shortening.
- Bar hangers may be repositioned 90° on plaster frame
- Integral T-bar clip snaps onto T-bars – no additional clips are required.

LED Module Connection

Halo LED module simply installs with a plug-in line voltage wiring connector (UL and CSA Listed Luminaire Disconnect). This non-screw-base connection preserves the high efficacy rating and prevents use of low efficacy incandescent sources (see LED Module specifications).

Labels

- UL/cUL Listed
 - Listed for FeedThrough
 - Listed for Damp Location
 - Listed for Wet Location with select trims
 - Rated for 15W maximum
- Meets following requirements:
- State of California Title 24-2008 High Efficacy Compliant
 - International Energy Conservation Code (IECC) - 2009 High Efficacy Compliant
 - Washington State Energy Code - AIR-TITE™
 - New York State Energy Conservation Construction Code - AIR-TITE™
 - AIR-TITE™ Certified under ASTM-E283



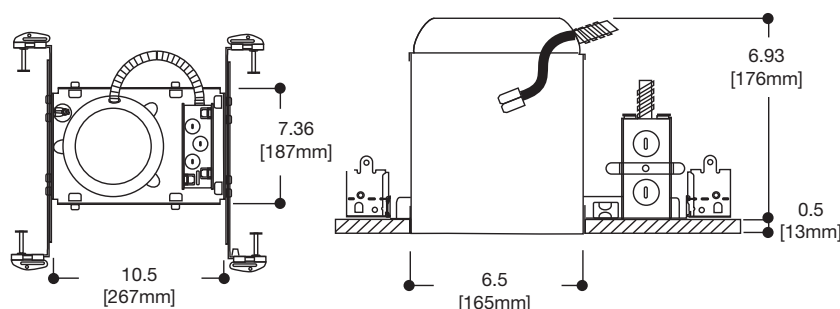
H750ICAT
6" New Construction IC AIR-TITE™ Housing For Halo LED Module ML7x Series and 49x Halo LED Series Trims

6" New Construction IC AIR-TITE Housing

High Efficacy LED Housing

FOR USE IN INSULATED CEILINGS

FOR DIRECT CONTACT WITH INSULATION



T24 2008
 California Title 24
 High Efficacy Compliant

TRIMS

ORDERING INFORMATION

SAMPLE NUMBER: H750ICAT ML706830 494P06

Order housing, module, trim and accessories separately.

Housing	LED Module*			Trim Options*	Accessories*
H750ICAT	ML706	8	30		
H750ICAT = 6" Dedicated LED Insulated Ceiling, AIR- TITE New Construction Housing	ML706 =6" LED Module: H7 Series, 600+ lumens	8 = 80 CRI	30 = 3000°K	<p>494P06=Matte White Reflector/ white die cast trim ring. ENERGY STAR® SSL Qualified.</p> <p>494WB06=White Baffle/ white die cast trim ring. ENERGY STAR® SSL Qualified.</p> <p>494H06=Haze Reflector/ white die cast trim ring. ENERGY STAR® SSL Qualified.</p> <p>494SC06=Specular Reflector/ white die cast trim ring. ENERGY STAR® SSL Qualified.</p> <p>492PS06=Regressed Lens, white die-cast baffle and trim ring. Shower rated.</p> <p>493WBS06=Solite® Regressed Lens, upper reflector, and white die-cast baffle and trim ring with anti-microbial paint (standard). Shower Rated and ENERGY STAR® SSL Qualified.</p> <p>493SCS06=Solite® Regressed Lens, upper reflector, Specular Clear die-cast reflector and die-cast white trim ring. Shower Rated and ENERGY STAR® SSL Qualified.</p> <p>493HS06=Solite® Regressed Lens, upper reflector, Haze die-cast reflector, and white die-cast trim ring. Shower Rated and ENERGY STAR® SSL Qualified.</p> <p>493SNS06=Solite regressed Lens, upper reflector, Satin Nickel die cast reflector and Satin Nickel die-cast trim ring. Shower Rated.</p> <p>493TBZS06=Solite® Regressed Lens, upper reflector, Tuscan Bronze die-cast reflector and Tuscan Bronze die-cast trim ring. Shower Rated.</p> <p>493BBS06=Solite® Regressed Lens, Black die-cast baffle with die-cast white trim ring. Shower Rated.</p>	<p>OT400P=Oversize White Metal Trim Ring 6" ID x 9-1/4" OD</p> <p>OT403P=Oversize White Plastic Trim Ring 6" ID x 8" OD</p> <p>Thin Profile Trim Rings: TRM490WH=Thin Profile matte white die-cast trim ring TRM490SN=Thin Profile Satin Nickel die-cast trim ring TRM490TBZ=Thin Profile Tuscan Bronze die-cast trim ring TRM490BK=Thin Profile Black die-cast trim ring TRM490PC=Thin Profile Polished Chrome die-cast trim ring</p>

* Refer to Halo LED Module Specification Sheet for additional information. Solite is a registered trademark of AGC Flat Glass North America

Note: Specifications and Dimensions subject to change without notice. Visit our web site at www.cooperlighting.com

Customer First Center 1121 Highway 74 South Peachtree City, GA 30269 770.486.4800 FAX 770 486.4801
 Cooper Lighting 5925 McLaughlin Rd. Mississauga, Ontario, Canada L5R 1B8 905.507.4000 FAX 905.568.7049

