



## Dynasty® PAR30 LED Lamp

The Dynasty® PAR30 LED Lamp is designed specifically as an energy-saving alternative for traditional 50 watt halogen PAR30 lamps, making it ideal for general lighting. Designed for a 110 or 220 VAC, 50 to 60Hz universal power system, it can be installed into any standard E26 (medium) socket. The lamp is corrosion resistant, designed for indoor and outdoor applications. Each lamp is made with six high power LEDs, which result in saving energy and creating high lumen light output. 35,000 hour rated lifetime and four year warranty per lamp means less maintenance and headaches for those lamps that are difficult to reach. Available in 3200K (Warm White) only. For more Dynasty based lighting products, just **Look for the Butterfly!**

### Applications

- Track lighting
- Recessed lighting
- Commercial lighting
- Residential lighting
- Retail displays

### Benefits

- Energy efficient
- Includes 4 year warranty
- Environmentally safe, RoHs compliant
- Low carbon footprint

### Features

- Warm white, 3200K
- 30,000 hour life
- Equivalent to a 50 watt halogen lamp
- Vibration resistant
- Consumes 8.5 watts

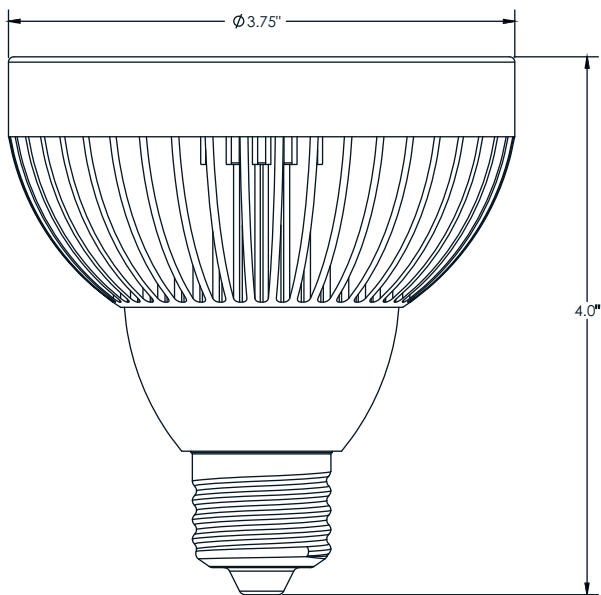




## Specifications

Product	Description	Watts	Beam Angle	Base	Volts	Qty.	Avg. Rated Life (HRS)	Warranty	CRI	CCT	Viewing Angle
30600	PAR30 Warm White LED Lamp	8.5	25°	E26	110/220V AC	6	30,000	4 Years	>93	3200K	25°

## Mechanical Dimensions



P 877.236.4403 [www.Dynastyleds.com](http://www.Dynastyleds.com)

Please call or visit our website to find a local distributor



U-1 C:3 SAL-BR0024 VER 01.10.01 ECN 01.00256 SAL



ISO 9001 CERTIFIED  
TS 16949 CERTIFIED FACTORY



4628 West Skyhawk Drive West Jordan, UT 84084  
P 877.236.4403 F 801.256.9287  
[www.Dynastyleds.com](http://www.Dynastyleds.com)