

**INSTALLATION INSTRUCTIONS**

**RECESSED HOUSING COMPATIBILITY**

- The CR6 is designed to install in standard 6" recessed downlight housings.
- For a list of compatible housings, refer to [www.CreeLEDlighting.com](http://www.CreeLEDlighting.com).

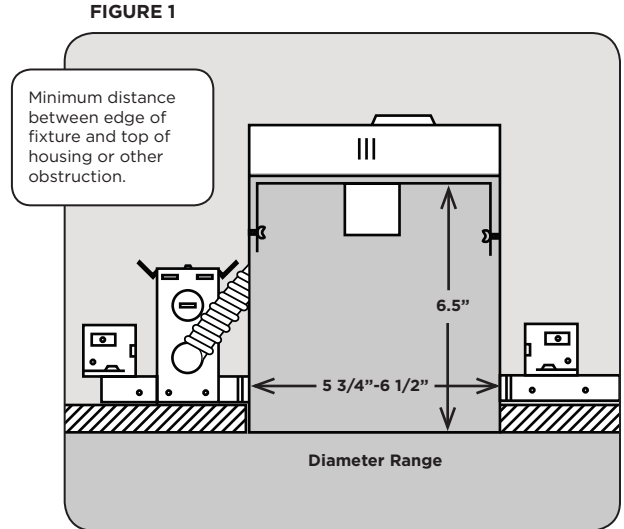
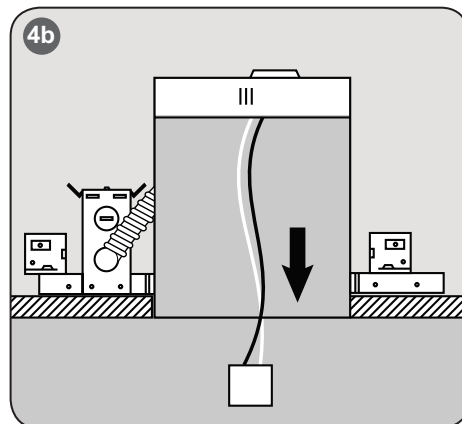
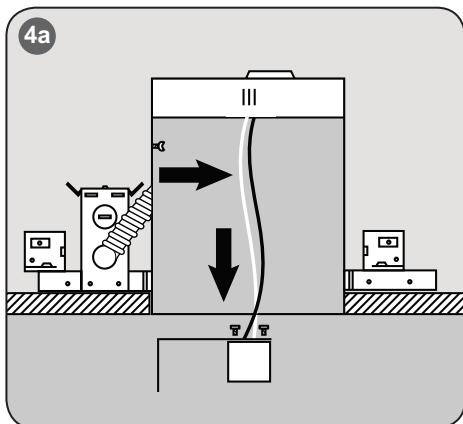
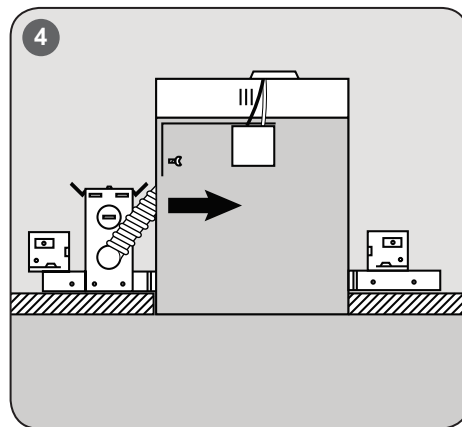
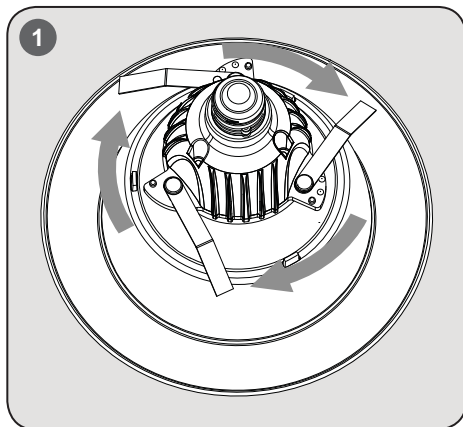
Compatibility of housings not on this list may be determined by measurement of the housing as detailed in the attached drawing (Figure 1).

**IMPORTANT SAFETY INFORMATION**  
**Read all instructions before installation**

**WARNING** - Risk of Electric Shock. Disconnect power at fuse or circuit breaker before installing or servicing.

**Note:** (1) It may be necessary to remove a socket mounting plate for adequate clearance. (2) Each lampholder shall be installed only in its intended manner and orientation. (3) Not all existing recessed housings that meet these requirements will be compatible with the CR6. To ensure compatibility, a test installation should be conducted. (4) Suitable for damp locations.

**TO INSTALL:**



**STEP 1:**

Remove CR6 Fixture from the packaging and rotate the "Flip Clips" clockwise until the clips are oriented directly away from the fixture. This position is the "installation ready" position.

**STEP 2:**

Make sure the power is turned off at the source to the recessed housing(s) that you are installing the fixture(s) in.

**STEP 3:**

Once power has been turned off, remove existing trim and CFL, or Incandescent, bulb revealing the existing socket.

**STEP 4:**

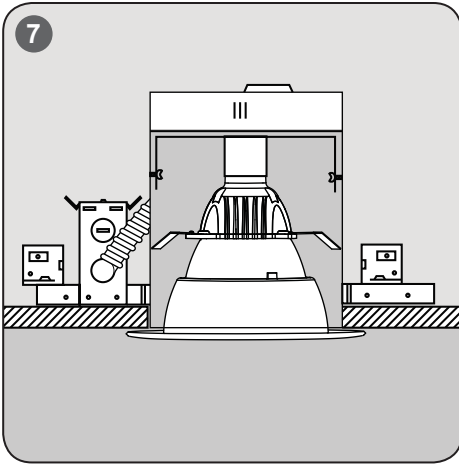
Locate the socket in your existing recessed housing and remove any screws that prevent the socket bracket from being removed.

**STEP 4a:**

Pull socket assembly, including the bracket, as low as possible given the existing wire length available. (May require socket plate removal) Remove any excess bracketry from socket. Care should be taken not to damage wiring during this process.

**STEP 4b:**

Once you have removed the excess bracketry from the socket, you are now ready to install the CR6 fixture.

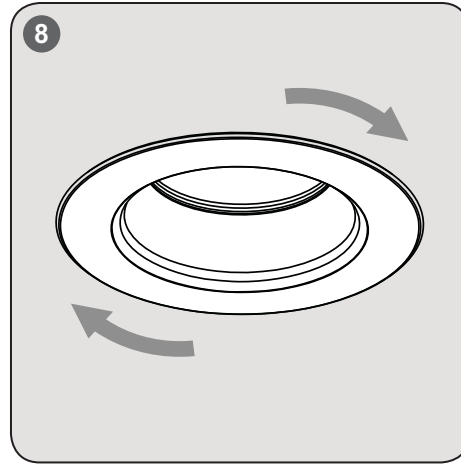


**STEP 5:**

If the existing socket is a GU24-style socket, or if you are converting the existing socket from an Edison-style socket to a GU24-style socket, proceed to Step A under "CR6-GU24 Installation" below.

**STEP 6:**

Attach CR6 to recessed housing socket. Screw CR6 into the socket by turning clockwise.



**STEP 7:**

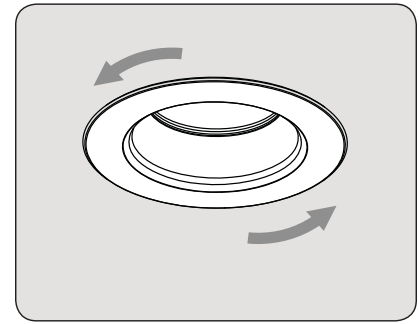
Slide CR6 with clips, in ready position, up into the recessed housing until trim ring is flush with ceiling.

**STEP 8:**

Rotate CR6 Fixture 1/4 turn clockwise to lock clips into position. Your CR6 fixture should now be securely installed into the ceiling. Turn power on and enjoy.

**REMOVAL OF CR6/CR6-GU24**

**NOTE:** Make sure power to fixture is removed before attempting to disconnect CR6 module from fixture.



**STEP 1:**

To remove CR6 module, grip firmly on the trim ring and rotate 1/4 turn counterclockwise to unlock clips from recessed can.

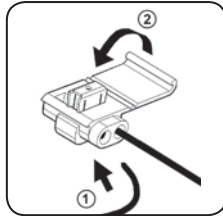
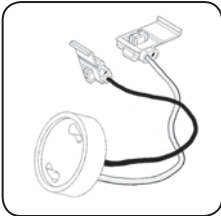
**STEP 2:**

Continue to turn counterclockwise as you pull downward on the CR6. This will disengage the clips allowing the CR6 to pull free.

**STEP 3:**

Detach CR6 from recessed housing socket.

**CR6-GU24 INSTALLATION**



GU-24 Socket Whip (Provided with CR6-GU24 Units Only)

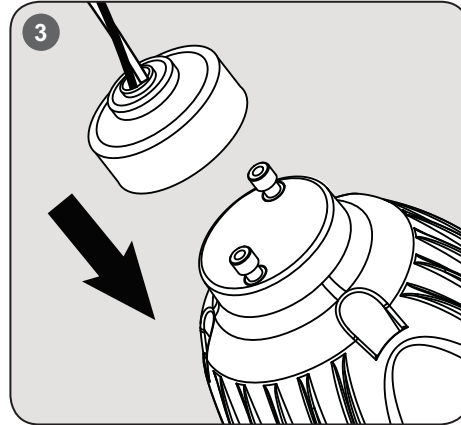
**STEP A:** Follow steps 1-4b of "CR6 Installation" shown on page 1.

**STEP B:** If the recessed housing is provided with a GU24-style socket, Skip to Step F.

**STEP C:** Insert the input wires into the Insulation Displacement Connectors provided on the GU-24 Socket whip and clamp down on the metal u-connector until flush with the top of the plastic insulator.

**STEP D:** Close plastic hinged cover and snap lock.

**STEP E:** Place "Original Luminaire Modification Marking" label inside recessed housing adjacent to existing relamp label.



**STEP F:** Attach GU24 socket to the CR6 by inserting pins into the socket and twisting socket clockwise until locked.

**STEP G:** Continue to Step 7 shown above.

**NOTE: This device is not intended for use with emergency exit fixtures or emergency exit lights.**

**WARNING: This product contains a chemical known to the state of California to cause cancer, birth defects or other reproductive harm.**

U.S. Patent # 7,213,940  
U.S. & Foreign Patents Pending  
Made in China



**LED Lighting**

LPN000031 Rev.C

[www.CreeLEDLighting.com](http://www.CreeLEDLighting.com)

**LIMITED WARRANTY**

The limited warranty set forth below is given by Cree, LED Lighting Solutions, Inc. ("CreeLLS") with respect to the lighting product packaged with this limited warranty (the "Product"). Your Product, when delivered to you in new condition in its original packaging, is warranted against defects in materials or workmanship as follows: for a period of three (3) years from the date of original purchase, defective parts or a defective Product returned to CreeLLS, or its authorized service providers, as applicable, and proven to be defective upon inspection, will be repaired, or exchanged for a new Product, as determined by CreeLLS, or the authorized service provider. This limited warranty covers all defects encountered in normal use of the Product, and does not apply in the following cases: (a) Loss of or damage to the Product due to abuse, mishandling, alteration, accident, electrical current fluctuations, failure to follow operating, maintenance or environmental instructions prescribed by CreeLLS in writing or services performed by someone other than CreeLLS or an authorized service provider. **WARRANTY IS VOID IF PRODUCT IS NOT USED FOR THE PURPOSE FOR WHICH THIS PRODUCT IS MANUFACTURED.** Any complaints you may have regarding the product should be addressed to Cree, LED Lighting Solutions, Inc., Keystone Technology Park VI, 635 Davis Drive, Suite 100, Morrisville, NC 27560. **NO IMPLIED WARRANTY, INCLUDING ANY IMPLIED WARRANTY OF MERCHANTABILITY OR FITNESS FOR A PARTICULAR PURPOSE, APPLIES TO THE PRODUCT AFTER THE APPLICABLE PERIOD OF THE EXPRESS LIMITED WARRANTY STATED ABOVE, AND NO OTHER EXPRESS WARRANTY OR GUARANTEE, EXCEPT AS MENTIONED ABOVE, GIVEN BY ANY PERSON OR ENTITY WITH RESPECT TO THE PRODUCT SHALL BIND CREE LLS.** (SOME STATES AND PROVINCES DO NOT ALLOW LIMITATIONS ON HOW LONG AN IMPLIED WARRANTY LASTS, SO THE ABOVE LIMITATION MAY NOT APPLY TO YOU.) This device complies with part 15 of the FCC Rules. Operation is subject to the following two conditions: (1) This device may not cause harmful interference, and (2) this device must accept any interference received, including interference that may cause undesired operation. **CAUTION:** Any changes or modifications not expressly approved by the party responsible for compliance could void the user's authority to operate the equipment.