



LED Lighting



LR24

INSTALLATION INSTRUCTIONS

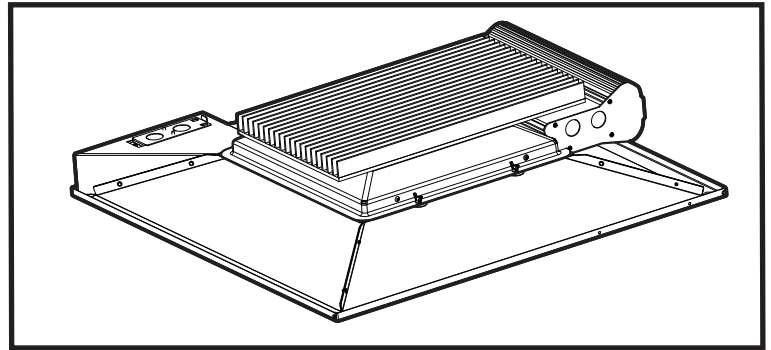
The LR24 is for Non-insulated ceiling applications using 2' x 2' T bar ceiling grid only.

Designed for use in 120V~277V, 60 hertz protected circuit (fuse box, circuit breakers) and 90 degree C rated supply wire.



CAUTION: Risk of Electric Shock

Dry location use only. Access above ceiling required. Do not install insulation within 76 mm (3 in) of any part of the luminaire. Suitable for suspended ceilings.



IMPORTANT SAFETY INFORMATION

READ ALL INSTRUCTIONS BEFORE INSTALLATION

1. BEFORE INSTALLING THIS FIXTURE OR DOING ANY MAINTENANCE, MAKE SURE TO TURN OFF THE POWER SUPPLY AT THE CIRCUIT BREAKER OR FUSE BOX.
2. CHECK TO MAKE SURE THAT ALL FIXTURE CONNECTIONS HAVE BEEN PROPERLY MADE AND THE FIXTURE IS GROUNDED TO AVOID POTENTIAL ELECTRICAL SHOCKS.
3. DO NOT HANDLE ENERGIZED FIXTURE WITH WET HANDS, WHEN STANDING ON WET OR DAMP SURFACES, OR IN WATER.

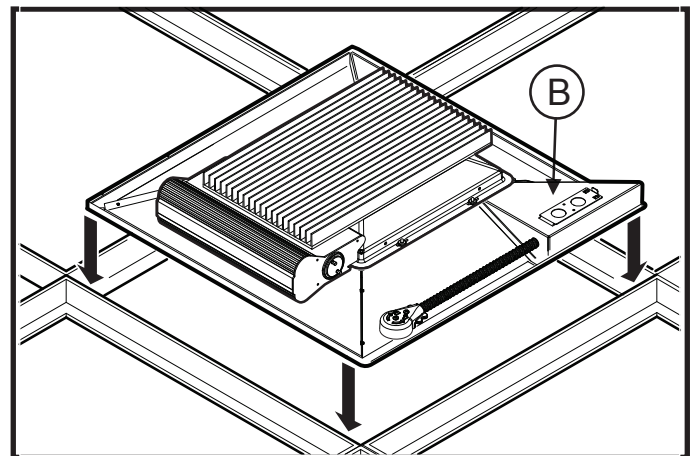


Figure 1

Installing the LR24

1. Carefully unpack the LR24 from its' shipping containers. Inspect product for defects due to shipping.
2. Place the LR24 into the 2' x 2' T bar ceiling panel (see figure 1). Assembly should fit tight and not need fasteners.
3. Make sure that the orientation of the sheet metal assembly junction box (See "B" on Figure 1) faces an accessible panel to install the input power.
4. Remove junction box door (See "A" on Figure 2).
5. Using a screwdriver blade, remove appropriate knockout from j-box door to route input conduit.

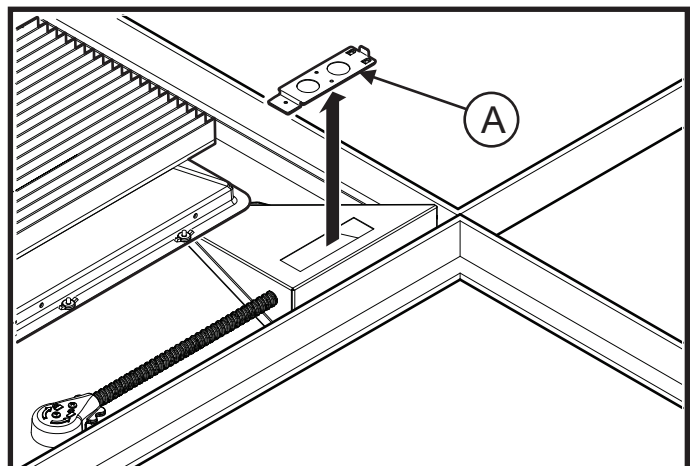


Figure 2

- Connect wires as shown in wiring diagram Figure 3.
Push all wires back into the j-box.
- Replace j-box door and tighten screw to secure.

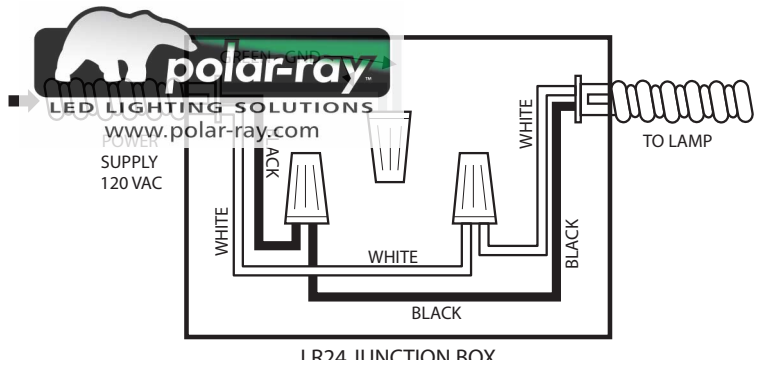


Figure 3

Connecting/Disconnecting Power to LR24

- To connect power to the light engine, align the GU24 connector whip “E” (see Fig 4) with the GU24 pins “F” on the light engine.
- Push the connector completely over the pins and rotate the whip clockwise until locked. (see Fig 5).
- To disconnect power for servicing, rotate the connector counter-clockwise and pull away from the LR24.

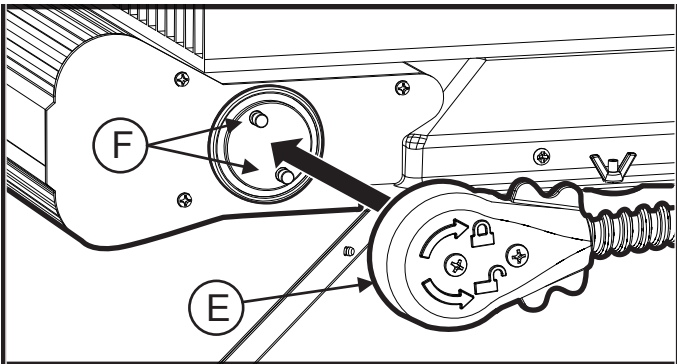


Figure 4

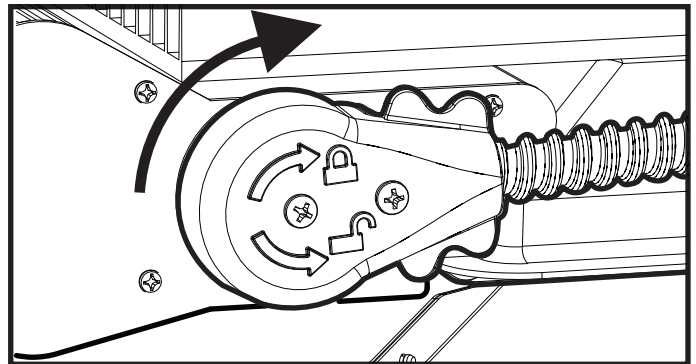


Figure 5

Unit Dimming

Note: This fixture is capable of dimming using IEC 60929 0 ~10V control compliant dimmers only.

- To connect dimmer wires, remove side panel “G” by removing the (4) screws that hold it in place.
- Remove side panel knock-out “H” by inserting screw driver blade into knock-out notch and prying apart. Connect flexible conduit connector to the side panel as shown in Fig 6.
- Insert positive and neutral wires into the PCB connector (shown in detail view of Fig 6) in the correct polarity location as shown in Figure 6. **The polarity of the connection is important to proper dimmer function.** Using a small flat blade screwdriver, insert the blade into the top slots on the PCB connector and twist to lock the wires into place.
- When wires are locked, replace side panel and secure using the (4) screws provided.
- Reconnect power to the fixture to test.

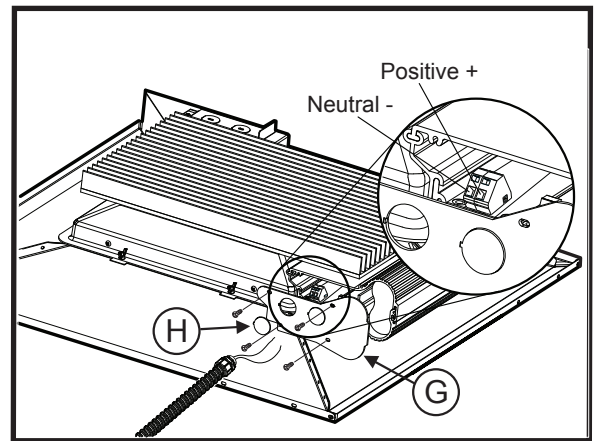


Figure 6

LIMITED WARRANTY

The limited warranty set forth below is given by Cree, LED Lighting, Inc. (“CreeLL”) with respect to the lighting product packaged with this limited warranty (the “Product”). Your Product, when delivered to you in new condition in its original packaging, is warranted against defects in materials or workmanship as follows: for a period of three (3) years from the date of original purchase, defective parts or a defective Product returned to CreeLL, or its authorized service providers, as applicable, and proven to be defective upon inspection, will be repaired, or exchanged for a new Product, as determined by CreeLL, or the authorized service provider. This limited warranty covers all defects encountered in normal use of the Product, and does not apply in the following cases: (a) Loss of or damage to the Product due to abuse, mishandling, alteration, accident, electrical current fluctuations, failure to follow operating, maintenance or environmental instructions prescribed by CreeLL in writing or services performed by someone other than CreeLL or an authorized service provider. WARRANTY IS VOID IF PRODUCT IS NOT USED FOR THE PURPOSE FOR WHICH THIS PRODUCT IS MANUFACTURED. Any complaints you may have regarding the product should be addressed to Cree, LED Lighting, Inc., 635 Davis Drive, Suite 100, Morrisville, NC 27560.

NO IMPLIED WARRANTY, INCLUDING ANY IMPLIED WARRANTY OF MERCHANTABILITY OR FITNESS FOR A PARTICULAR PURPOSE, APPLIES TO THE PRODUCT AFTER THE APPLICABLE PERIOD OF THE EXPRESS LIMITED WARRANTY STATED ABOVE, AND NO OTHER EXPRESS WARRANTY OR GUARANTY, EXCEPT AS MENTIONED ABOVE, GIVEN BY ANY PERSON OR ENTITY WITH RESPECT TO THE PRODUCT SHALL BIND CREE LL. (SOME STATES AND PROVINCES DO NOT ALLOW LIMITATIONS ON HOW LONG AN IMPLIED WARRANTY LASTS, SO THE ABOVE LIMITATION MAY NOT APPLY TO YOU.)

XLamp® Products

These products and/or the processes used in their fabrication may be covered by one or more of the patents and patents pending listed below and may also be covered by other patents and patents pending in the United States and elsewhere:

US	4,966,862	5,381,103	5,393,993	5,523,589	5,585,648	5,661,074	5,686,738	5,751,752	5,874,747	6,051,849
	6,084,899	6,115,399	6,156,581	6,187,606	6,265,289	6,350,041	6,373,077	6,410,942	6,459,100	6,515,313
	6,533,874	6,570,192	6,582,986	6,600,175	6,610,551	6,614,056	6,657,236	6,664,560	6,740,906	6,764,932
	6,765,240	6,791,119	6,794,684	6,800,876	6,803,243	6,803,602	6,812,053	6,821,804	6,825,501	6,853,010
	6,875,995	6,884,644	6,885,036	6,888,167	6,906,352	6,909,119	6,946,682	6,953,703	6,955,977	6,958,497
	6,967,116	6,972,051	6,995,032	7,005,679	7,037,742	7,071,490	7,125,737	7,202,181	7,211,833	7,217,583
	7,244,965	7,259,033	7,259,402	7,264,378	7,279,346	7,291,529	7,312,474	7,326,583	7,329,905	7,332,365
	7,335,920	7,338,822	7,341,175	7,355,284	D566056	D566057				

U.S Patent no. 7,213,940

U.S and Foreign Patents Pending

Designed and Engineered in U.S.A.

Made in China

LPN000013 _ E



www.CreeLEDLighting.com