



LED Bulb Series

Features

- Light source: 7 pieces Cree XRE LED
- Source life: more than 40,000 hours
- Low heat, no UV or IR light radiation
- Full range of colors
- Homogeneous illumination
- Molded heat sink for excellent heat management
- 7W MR16 can achieve directional light output equal to 50W halogen lamp yet consume 80% less power
- CE and RoHS approved
- 1 year limited warranty
- Works with worldwide electrical systems (110 or 220 V AC)




Typical Applications

- Landscape Accent/Spot lighting
- Architectural Lighting
- Display Case Accent
- Art work Lighting



LED Bulb Series

PRODUCT SPECIFICATIONS

LIGHT SOURCE	7 x Cree XRE power LED
OPTICS	Optical grade PC cluster lens
BEAM ANGLE	30° (Wide Spot)
RENDERING INDEX (Ra)	> 70 (for Neutral white color) > 80 (for warm white color)
TOTAL LENGTH	63 mm (including pins)
WEIGHT	84 g
HOUSING	Molded aluminum with chrome or black anodized finish, 50mm diameter
BASE	GX5.3
DIMMABILITY	Not Dimmable 

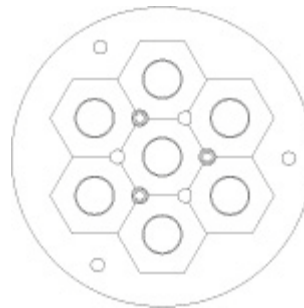
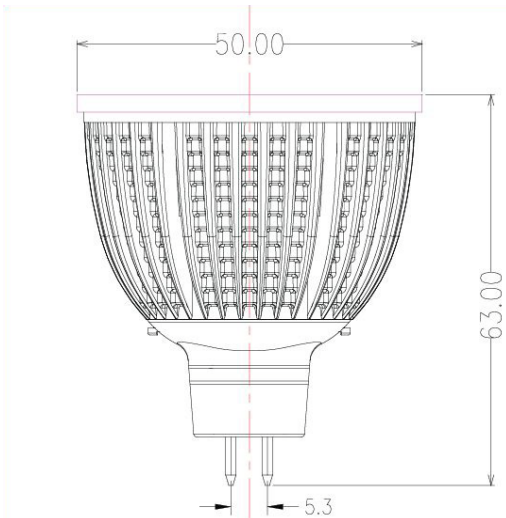
ENVIRONMENTAL SPECIFICATIONS

TEMPERATURE RANGE	Ambient: -20°C to 40°C; Surface of Lamp: 65°C to 70°C
HUMIDITY RANGE	0 to 95% non-condensing humidity

ELECTRICAL SPECIFICATIONS

VOLTAGE REQUIREMENT	12V AC or 12V DC
POWER CONSUMPTION	6.5W

PRODUCT DIMENSIONS (mm)





LED Bulb Series

PRODUCT ORDERING CODE

BTX-SX X-XX/XRE

Power Code

7 = 7 Watt

Beam Shape

S = Wide Spot

Color Code

Code	Color	WLD/CCT
W	Cool White	5000K~7000K
N	Nat. White	4000K~5000K
V	Warm White	2800K~3800K
R	Red	625nm
A	Yellow	595nm
B	Blue	470nm
G	Green	525nm

Electrical Code

Code	Voltage
1	12V AC/DC MR16

Housing Finish

Code	Finish
C	Chrome
B	Anodize Black

(Please specify when ordering)

30° BEAM ANGLE PRODUCT CODE

ORDER CODE	Color	Wavelength or CCT (nm/K)	Operating Voltage	LED Power (W)	Typical Luminous Flux (lm)	Typical Illuminance @ 1m (Lux)	BEAM ANGLE
BT7-SWS-1X/XRE	Cool White	5000K~7000K	12V AC/DC	7X1W	240 lm	1100	30° ±2°
BT7-SNS-1X/XRE	Nat. White	4000K~5000K			210 lm		
BT7-SVS-1X/XRE	Warm White	2800K~3800K			200 lm	1000	
BT7-SRS-1X/XRE	Red	625 nm					
BT7-SAS-1X/XRE	Yellow	595 nm					
BT7-SBS-1X/XRE	Blue	470 nm					
BT7-SGS-1X/XRE	Green	530 nm					



LED Bulb Series

Typical Electrical Characteristics at $T_a=25^\circ\text{C}$

Parameter	Symbol	Min	Typ	Max	Unit
Input Voltage (AC)	V_{AC}	10	12	14	V
Input Voltage (DC)	V_{DC}	9	10	12	V
LED Forward Current	I_F	—	200	—	mA
Estimated Life ^[6]		—	40,000	—	hours
Optimized Body Temperature	T	—	65	70	$^\circ\text{C}$

Illumination Characteristics

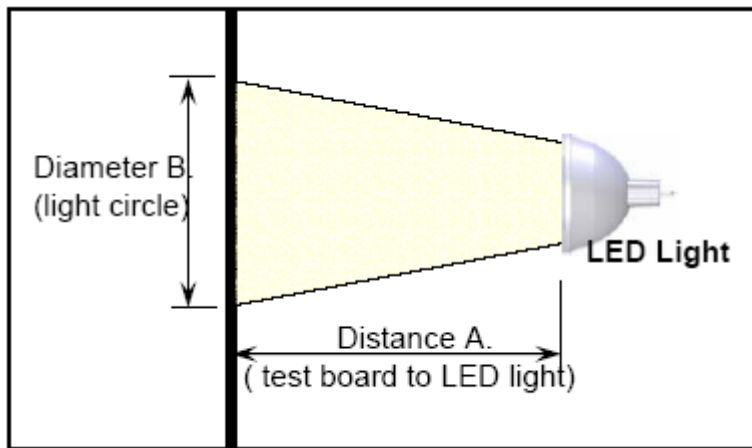


Fig 1. Set up for Illuminance Measurement

30° Wide Spot Model

Distance		7W Typical Illuminance Measured at Center of Beam (Lux)					
Dist A (cm)	Dia. B (cm)	Cool White	Warm White	Green	Blue	Red	Yellow
30	30	11000	10000				
50	50	4500	4200				
100	100	1100	1000				
150	100	580	500				
200	130	330	280				

Note: Center beam lux is measured with Digital Lux Meter (Model TES-1334A)