



LED Bulb Series

Features

- Light source: 3 piece Cree XRE
- Long LED life: 50,000 hours
- Low heat, less than 70°C for 6W
- No UV or IR light radiation
- Instant “ON” to 100% brightness
- No mercury or other inorganics
- Highest optical efficiency: 45Lm/Watt
- Homogeneous flood illumination
- Aluminum heat fins with excellent thermal efficiencies
- The LED bulb is available in the following white color temperatures:
 - 2800K – 3500K (Warm White)
 - 4000K – 5500K (Natural White)
- 6W LED bulb can achieve directional light output equal to 40W incandescent bulb
- 1 year limited warranty
- Safety Standard: CE and RoHS
- Works with worldwide electrical systems (110 or 220V AC)



Note: Picture for illustration only




Typical Applications

- Energy Saving Programs
- Sustainable Energy
- Replace Standard GLS lamps
- General Lighting



LED Bulb Series

PRODUCT SPECIFICATIONS

LIGHT SOURCE	3 x Cree XRE power LED
OPTICS	Optical grade PC lens
BULB TYPE	60 mm pear shape (PS)
BEAM ANGLE	140° (Flood)
RENDERING INDEX (Ra)	>80 (warm white) >75 (natural white) >70 (cool white)
TOTAL LENGTH	104.3 mm (including base)
WEIGHT	112 ± 2g
HEATSINK	Molded aluminum with silver paint finish
BASE TYPE	E27
DIMMABILITY	Not Dimmable 

ENVIRONMENTAL SPECIFICATIONS

TEMPERATURE RANGE	Ambient: -20°C to 40°C; Surface of Lamp: 60°C to 70°C
HUMIDITY RANGE	0 to 95% non-condensing humidity

ELECTRICAL SPECIFICATIONS AND PRODUCT DIMENSIONS(mm)

VOLTAGE REQUIREMENT	110 or 220V AC	POWER CONSUMPTION	6.7W
----------------------------	----------------	--------------------------	------

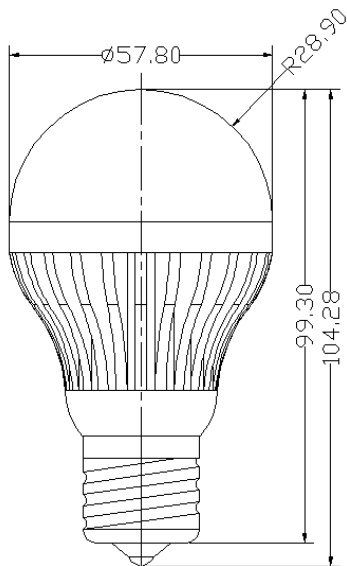


Fig 1. LED Bulb Side View

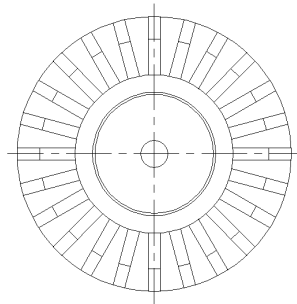


Fig 2. LED Bulb Bottom View

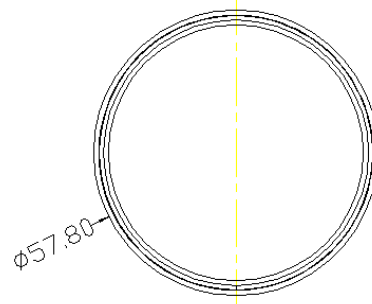


Fig 3. LED Bulb Top View



LED Bulb Series

PRODUCT ORDERING CODE

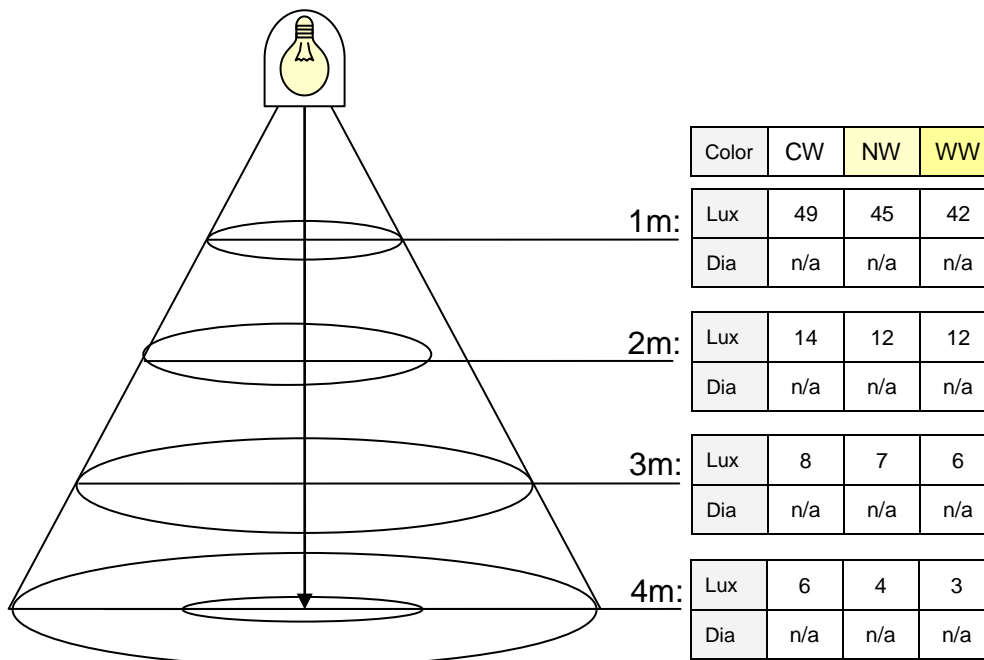
ITEM NUMBER	Color	Wavelength or CCT (nm/K)	Base Type	Operating Voltage	LED Power (W)	Typical Luminous Flux (lm)	Typical Illuminance @ 2m (Lux)	BEAM ANGLE
1159	Natural White	4000K~5500K	E27	110 VAC	3X2W	200 lm	12	100° ±2°
1158	Warm White	2800K~3500K				180 lm	10	

Typical Electrical Characteristics at T_a=25°C - 6W Model

Parameter	Symbol	Min	Typ	Max	Unit
Input Voltage (110V AC)	V _{AC}	100	—	120	V
Input Voltage (220V AC)	V _{AC}	200	—	240	V
LED Forward Current	I _F	—	500	—	mA
Estimated Life ^[*]		—	50,000	—	hours
Optimized Body Temperature (3X2W LED)	T	—	66	68	°C

Note[*] – Manufacturer projects LED lamp made with Cree XRE LED to maintain an average of 70% lumens maintenance after 50,000 hours. This estimation is made based on data from LED manufacturer

LED Bulb Luminance Measurement



- Notes:
- 1) LED Bulb typical illuminance data is measured with the LED bulb installed in recess reflector can.
 - 2) Center beam lux is measured with Digital Lux Meter (Model TES-1334A)