



LED Bulb Series

Features

- Light source: 3 x 1W Cree XRE LED
- Source life: More than 50,000 hours
- Low heat, no UV or IR light radiation
- Full range of colors
- Homogeneous illumination
- Sleek designed heat fins with excellent thermal efficiency
- 3W E26/E27 can achieve directional light output equal to 25W halogen lamp yet consume 80% less power
- Safety Standard: CE and RoHS
- Works with worldwide electrical systems (110V or 220V AC)



Note: Picture for Illustration Only

Typical Applications


- Landscape Accent/Spot lighting
- Architectural Lighting
- Display Case Accent
- Artwork Lighting
- Mood Lighting/General lighting
- Amusement Park Accent





LED Bulb Series

PRODUCT SPECIFICATIONS

LIGHT SOURCE	3 x 1W Cree XRE power LED
OPTICS	3X optical grade PC collimator
LENS DIAMETER	17.8 mm each
BEAM ANGLE	30° (Wide Spot)
RENDERING INDEX (Ra)	>80 (for warm white color)
TOTAL LENGTH	60 mm (including pins)
WEIGHT	75 g
HOUSING	Molded aluminum with silver paint finish, 5 cm (2") diameter
BASE	E26/E27 screw base
DIMMABILITY	Not Dimmable 

ENVIRONMENTAL SPECIFICATIONS

TEMPERATURE RANGE	Ambient: -20°C to 40°C; Surface of Lamp: 60°C to 70°C
HUMIDITY RANGE	0 to 95% non-condensing humidity

ELECTRICAL SPECIFICATIONS

VOLTAGE REQUIREMENT	100V AC ~ 240V AC
POWER CONSUMPTION	4.5W

PRODUCT DIMENSIONS (mm)

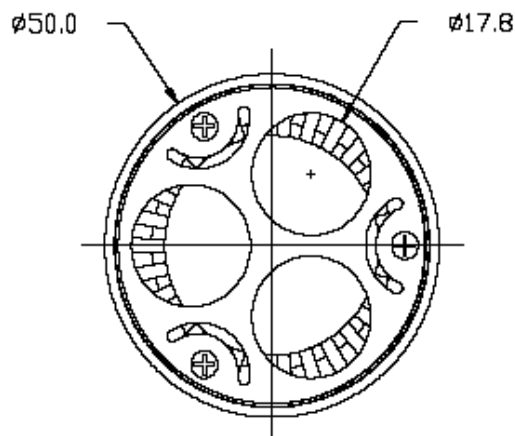


Fig 1. E26/E27 Top View

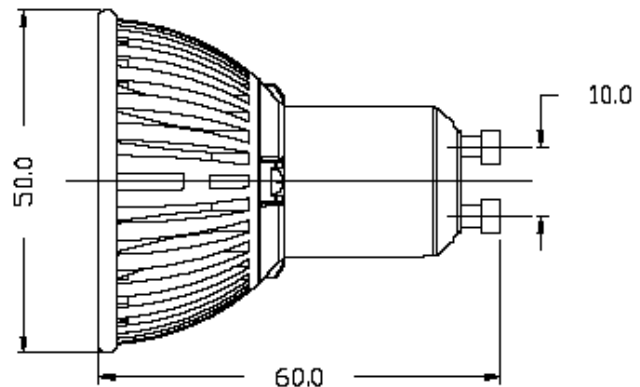


Fig 2. E26/E27 Side View

Illumination Characteristics ($T_a=25^\circ\text{C}$) - 3X1W Spot Model

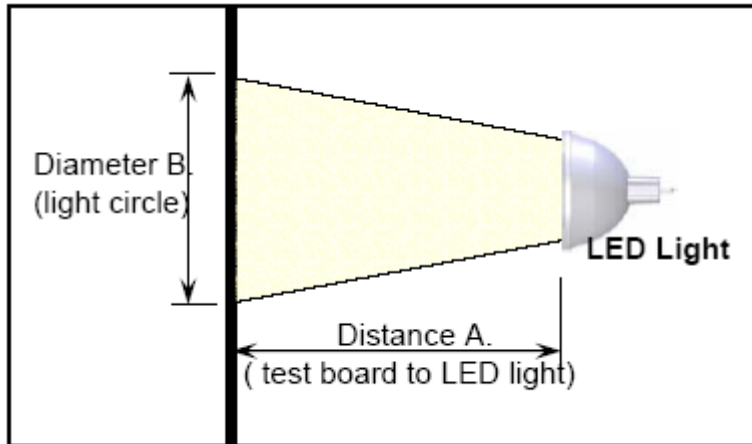


Fig 1. Set up for Illuminance Measurement

Distance		Typical Illuminance Measured at Center of Beam (Lux)						
Dist A (cm)	Dia. B (cm)	Cool White	Nat.	Warm	Green	Blue	Red	Yellow
30	28	4600		4700	—	—	—	—
50	45	1700		1600	—	—	—	—
100	86	420		400	—	—	—	—
150	128	200		140	—	—	—	—
200	160	105		90	—	—	—	—

Note: Center beam lux is measured with Digital Lux Meter (Model TES-1334A)

Typical Electrical Characteristics at $T_a=25^\circ\text{C}$ - 3X1W Model

Parameter	Symbol	Min	Typ	Max	Unit
Input Voltage (AC)	V_{AC}	100	—	240	V
Individual LED Forward Current	I_F	—	300	—	mA
Estimated Life [¶]		—	50,000	—	hours
Optimized Body Temp (3X1W LED)	T	—	55	60	$^\circ\text{C}$

Note[*] – Manufacturer projects V3-XRE spotlight made with Cree XRE LED to maintain an average of 70% lumens maintenance after 50,000 hours. This estimation is made based on data from LED manufacturer