



3W LED MR16

Item ID# 1154 & 1155

Features

- Light source: 3 x 1W Cree XRE power LED
- Source life: More than 50,000 hours
- Low heat, less than 58°C for 3W
- No UV or IR light radiation
- Homogeneous illumination
- Sleek designed heat fins with excellent thermal efficiency
- 3W MR16 can achieve directional light output equal to 30W halogen lamp yet consume 80% less power
- Reverse polarity protection
- Safety Standard: CE and RoHS
- Works with 12V AC/DC lighting systems



Note: Picture for Illustration Only



Typical Applications


- Landscape Accent/Spot lighting
- Architectural Lighting
- Display Case Accent
- Artwork Lighting
- Mood Lighting/General lighting
- Amusement Park Accent



3W LED MR16

PRODUCT SPECIFICATIONS

Item ID# 1154 & 1155

| | |
|-----------------------------|--|
| LIGHT SOURCE | 3 x 1W Cree XRE power LED |
| OPTICS | 3X optical grade PC lens |
| LENS DIAMETER | 17.8 mm/each |
| BEAM ANGLE | 30° (Wide Spot) |
| MIN BEAM DISTANCE | 15 cm (6 inches) |
| RENDERING INDEX (Ra) | >80 (for cool white color) |
| TOTAL LENGTH | 52 mm (including pins) |
| WEIGHT | 46 g |
| HOUSING | Molded aluminum with silver paint finish, 5 cm (2") diameter |
| BASE | GX5.3 pins |
| DIMMABILITY | Not Dimmable  |

ENVIRONMENTAL SPECIFICATIONS

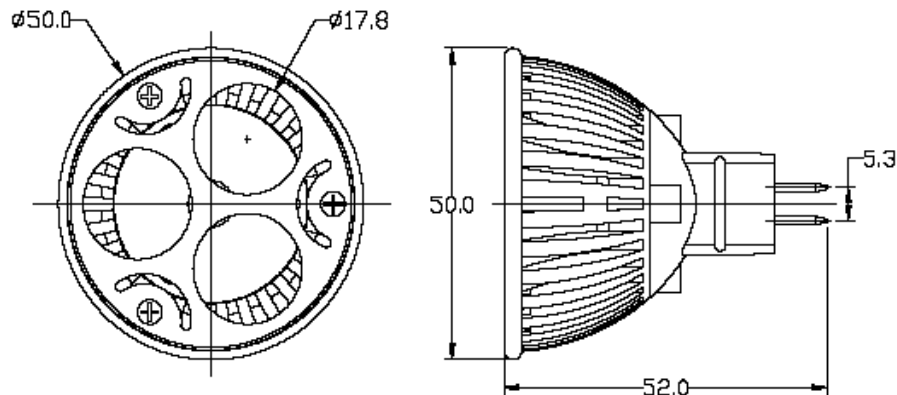
| | |
|--------------------------|---|
| TEMPERATURE RANGE | Ambient: -20°C to 40°C; Surface of Lamp: 50°C to 70°C |
| HUMIDITY RANGE | 0 to 95% non-condensing humidity |

ELECTRICAL SPECIFICATIONS

| | |
|----------------------------|--|
| VOLTAGE REQUIREMENT | 12V AC or DC |
| POWER CONSUMPTION | 3.6W |
| TRANSFORMER | Low voltage magnetic to provide 12V AC or 12V DC |

DO NOT CONNECT LAMP TO ELECTRONIC TRANSFORMER

PRODUCT DIMENSIONS (mm)



Illumination Characteristics ($T_a=25^\circ\text{C}$) - 3W Model Part ID# 1154 & 1155

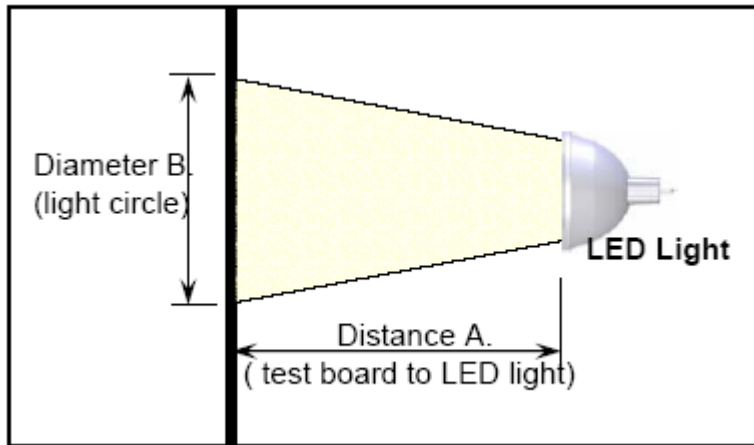


Fig 1. Set up for Illuminance Measurement

| Distance | | Typical Illuminance Measured at Center of Beam (Lux) | | | | | |
|-------------|-------------|--|------------|------------|------|-----|-------|
| Dist A (cm) | Dia. B (cm) | Cool White | Nat. White | Warm White | Blue | Red | Green |
| 30 | 28 | 4500 | - | 3600- | - | - | - |
| 50 | 45 | 1600 | | 1200 | | | |
| 100 | 86 | 470 | | 370 | | | |
| 150 | 128 | 200 | - | 170 | - | - | - |
| 200 | 160 | 120 | - | 90 | - | - | - |

Note: Center beam lux is measured with Digital Lux Meter (Model TES-1334A)

Typical Electrical Characteristics at $T_a=25^\circ\text{C}$ - 3W Model

| Parameter | Symbol | Min | Typ | Max | Unit |
|--------------------------------|----------|-----|--------|-----|------------------|
| Input Voltage (AC) | V_{AC} | 10 | 12 | 14 | V |
| Input Voltage (DC) | V_{DC} | 9 | 10 | 12 | V |
| Individual LED Forward Current | I_F | — | 300 | — | mA |
| Estimated Life ^[*] | | — | 50,000 | — | hours |
| Optimized Body Temp (3X1W LED) | T | — | 55 | 60 | $^\circ\text{C}$ |

Note[*] – Manufacturer projects EcoLED lamp made with Cree XRE LED to maintain an average of 70% lumens maintenance after 50,000 hours. This estimation is made based on data from LED manufacturer

Note: Lamp is optimized for 12V AC input voltage