



## LED Bulb Series

### Features

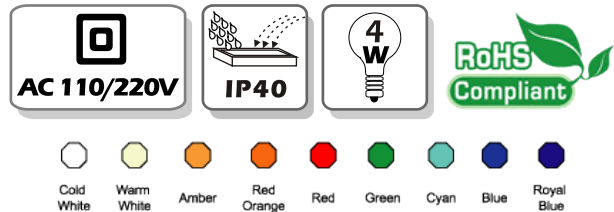
- Light source: 3 x 1W LED
- Source life: More than 40,000 hours
- Low heat, no UV or IR light radiation
- Full range of colors
- Homogeneous illumination
- Sleek designed heat fins with excellent thermal efficiency
- 4W GU10 can achieve directional light output equal to 25W halogen lamp yet consume 80% less power
- Safety Standard: **CE** and **RoHS**
- Works with worldwide electrical systems (110V or 220V AC)



Note: Picture for Illustration Only

### Typical Applications


- Landscape Accent/Spot lighting
- Architectural Lighting
- Display Case Accent
- Artwork Lighting
- Mood Lighting/General lighting
- Amusement Park Accent





## LED Bulb Series

### PRODUCT SPECIFICATIONS

<b>LIGHT SOURCE</b>	3 x 1W power LED
<b>OPTICS</b>	3X optical grade PC collimator
<b>LENS DIAMETER</b>	17.8 mm each
<b>BEAM ANGLE</b>	30° (Wide Spot)
<b>MIN BEAM DISTANCE</b>	15cm (6 inches)
<b>RENDERING INDEX (Ra)</b>	>80 (for white color)
<b>TOTAL LENGTH</b>	60 mm (including pins)
<b>WEIGHT</b>	75 g
<b>HOUSING</b>	Molded aluminum with silver paint finish, 5 cm (2") diameter
<b>BASE</b>	GU10
<b>DIMMABILITY</b>	Not Dimmable 

### ENVIRONMENTAL SPECIFICATIONS

<b>TEMPERATURE RANGE</b>	Ambient: -20°C to 40°C; Surface of Lamp: 60°C to 70°C
<b>HUMIDITY RANGE</b>	0 to 95% non-condensing humidity

### ELECTRICAL SPECIFICATIONS

<b>VOLTAGE REQUIREMENT</b>	100V AC ~ 240V AC
<b>POWER CONSUMPTION</b>	3W

### PRODUCT DIMENSIONS (mm)

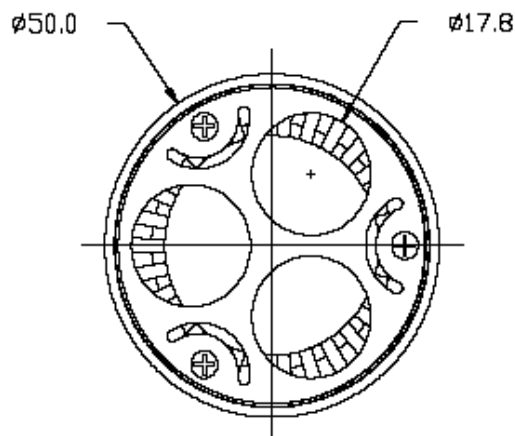


Fig 1. GU10 Top View

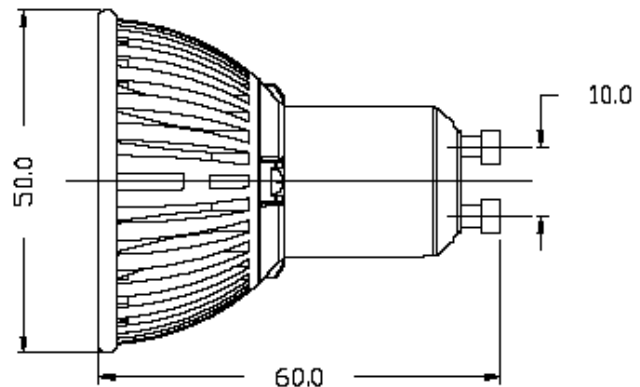


Fig 2. GU10 Side View

**Illumination Characteristics ( $T_a=25^\circ\text{C}$ ) - 3X1W Spot Model**

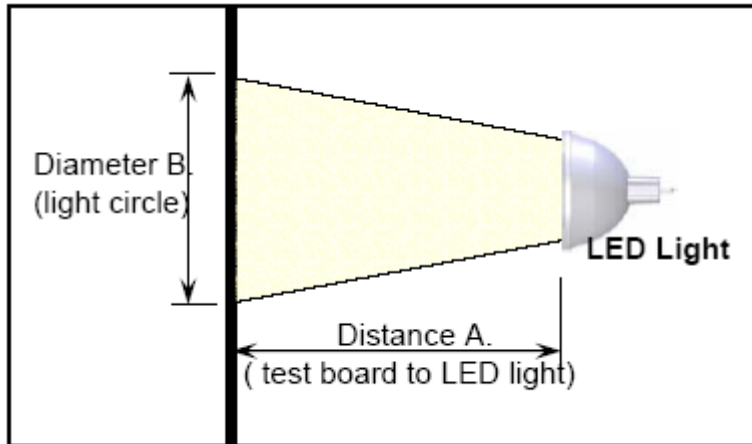


Fig 1. Set up for Illuminance Measurement

Distance		Typical Illuminance Measured at Center of Beam (Lux)					
Dist A (cm)	Dia. B (cm)	Cool White	Warm White	Green	Blue	Red	Yellow
30	28	5200	4700	—	—	—	—
50	45	1900	1750	—	—	—	—
<b>100</b>	<b>86</b>	<b>500</b>	<b>450</b>	—	—	—	—
150	128	200	200	—	—	—	—
200	160	125	125	—	—	—	—

Note: Center beam lux is measured with Digital Lux Meter (Model TES-1334A)

**Typical Electrical Characteristics at  $T_a=25^\circ\text{C}$  - 3X1W Model**

Parameter	Symbol	Min	Typ	Max	Unit
Input Voltage (AC)	$V_{AC}$	100	—	240	V
Individual LED Forward Current	$I_F$	—	340	—	mA
Estimated Life <sup>1</sup>		—	40,000	—	hours
Optimized Body Temp (3X1W LED)	T	—	55	60	$^\circ\text{C}$